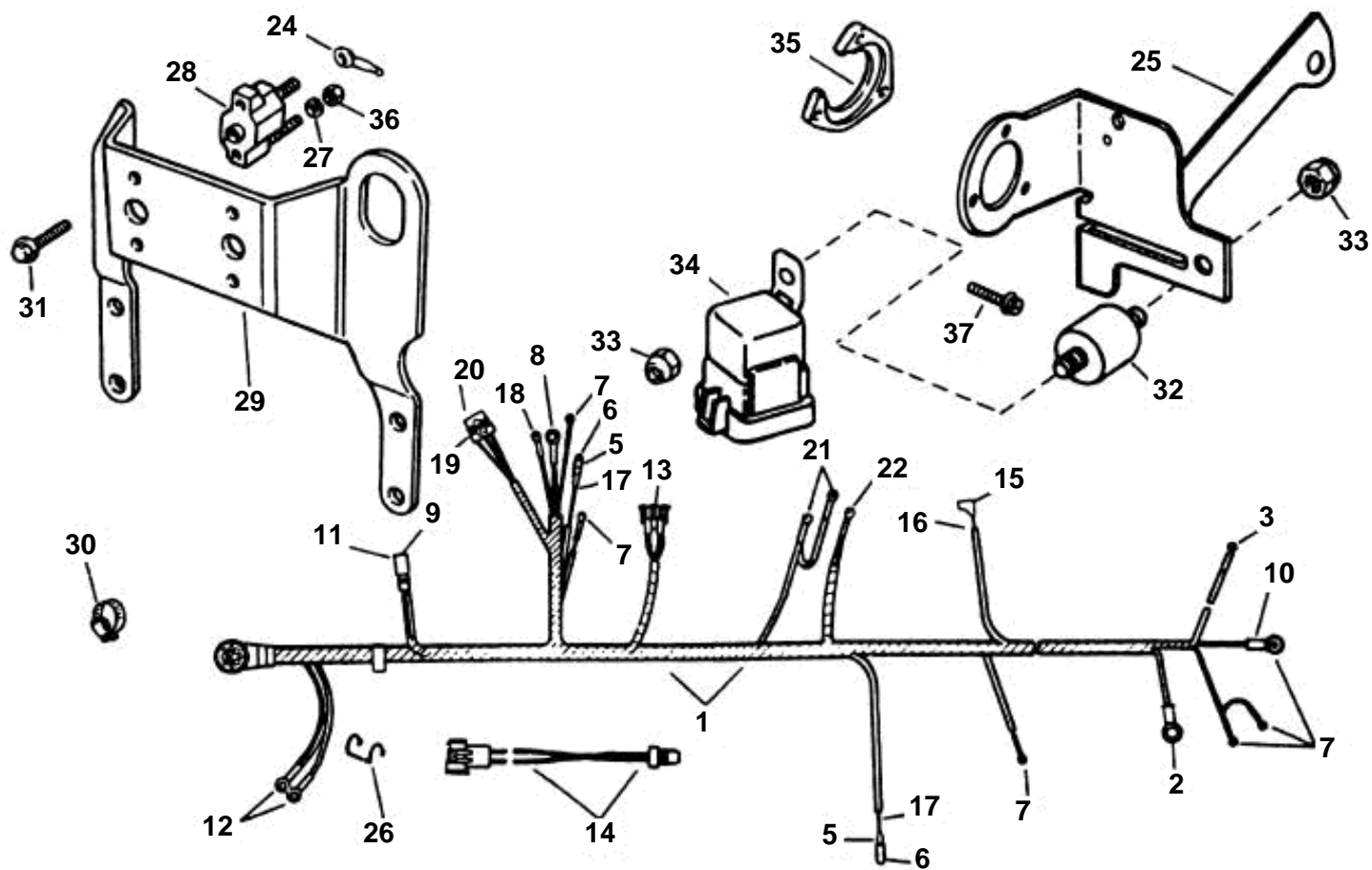


# WIRE HARNESS, BRACKET, & SOLENOID



# WIRE HARNESS, BRACKET, & SOLENOID

REF	PART NO.	QTY	DESCRIPTION	NOTES
1	3857034	1	Cable harness	
	3854031	1	Cable harness	
	3856045	1	Cable harness	
2	3852036	1	Cable terminal, #10	
3	3852038	X	Cable terminal, 0.25	
5	3852244	2	Cable terminal, Socket	
6	3852181	2	Cap	
7	3852233	7	Cable terminal, #10	
8	3852037	1	Cable terminal, Battery	
9	3852229	X	Cable terminal, Pin, trim sender	
10	3852130	1	Rubber cap, Alternator	
11	3852249	1	Connector, 2 cont receptacle	
12	3852527	X	Cable terminal, 0.375	
13	3853974	1	Cable	
14	3854084	1	Cable, Distributor to ignition coil	
15	3852084	X	Cable terminal, Side receptacle	
16	3853320	1	Cover	
17	3852248	2	Cable sleeve, Socket, blue	
18	3852235	1	Cable terminal, #10	
19	3854192	X	Connector	
20	3852254	4	Cable terminal, Receptacle	
21	3852245	X	Cable terminal, #10	
22	3854245	X	Cable terminal, #10	
24	3852235	2	Cable terminal, #10	
25	3850240	1	Bracket, Connector & relay	
26	3852237	1	Retainer, Amphenol. trim sender, 2 terminal	
27	3852001	2	Lock washer, Circuit breaker terminals	Engine, ECA
28	3854164	1	Fuse, 50A, tilt & trim	
	3854164	1	Fuse, 50A, engine	
29	3853374	1	Bracket, Lift & circuit breaker	
30	3853786	1	Clamp, Instrument cable connector	
31	3853620	2	Screw, Circuit breaker to bracket	Engine
	3853620	2	Screw, Circuit breaker to bracket	Tilt & trim
32	3850234	1	Isolation, Relay mounting	
33	3852118	1	Nut, Relay isolator to electrical bracket	
34	3854138	1	Relay, Starter motor	
35	3852825	1	Retainer, Engine cable	
36	3852064	2	Nut, Circuit breaker terminals	Engine
	3852064	2	Nut, Circuit breaker terminals	Tilt & trim
37	3852208	3	Screw, Retainer	Eng. cable end to brkt